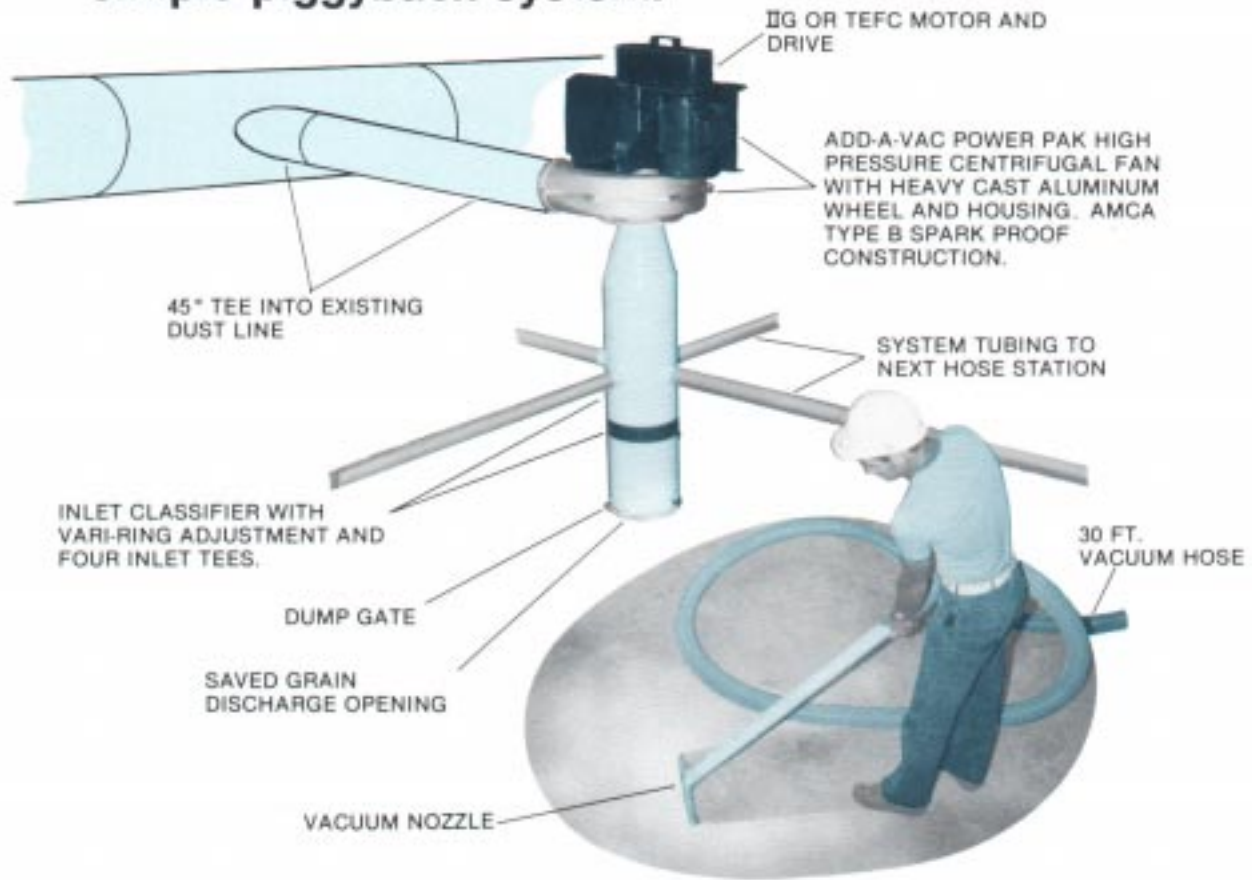
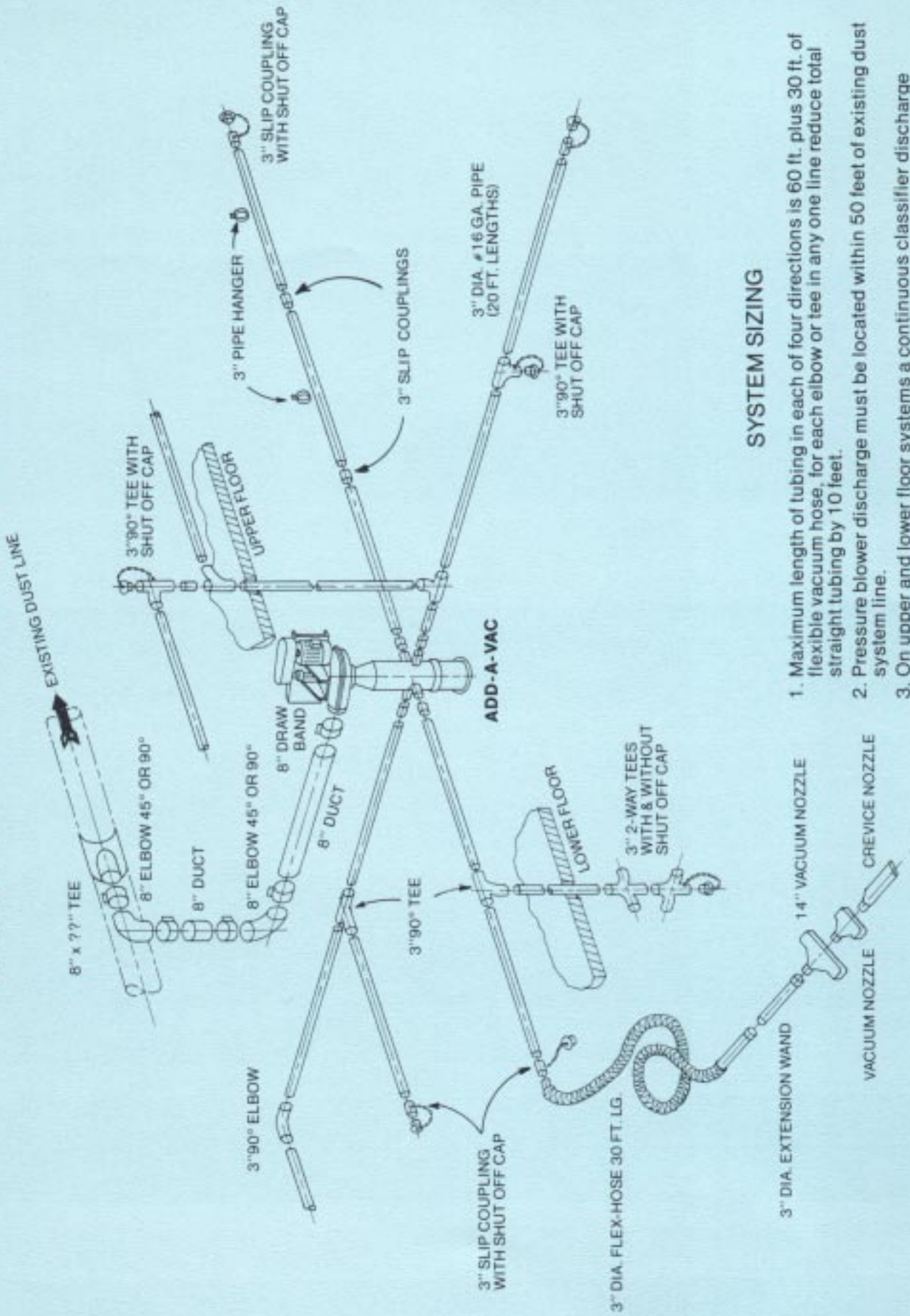




NOW! Turn your existing dust control system into a high capacity vacuum cleaning system with this simple piggyback system.



GENERAL ADD-A-VAC SYSTEM ARRANGEMENTS



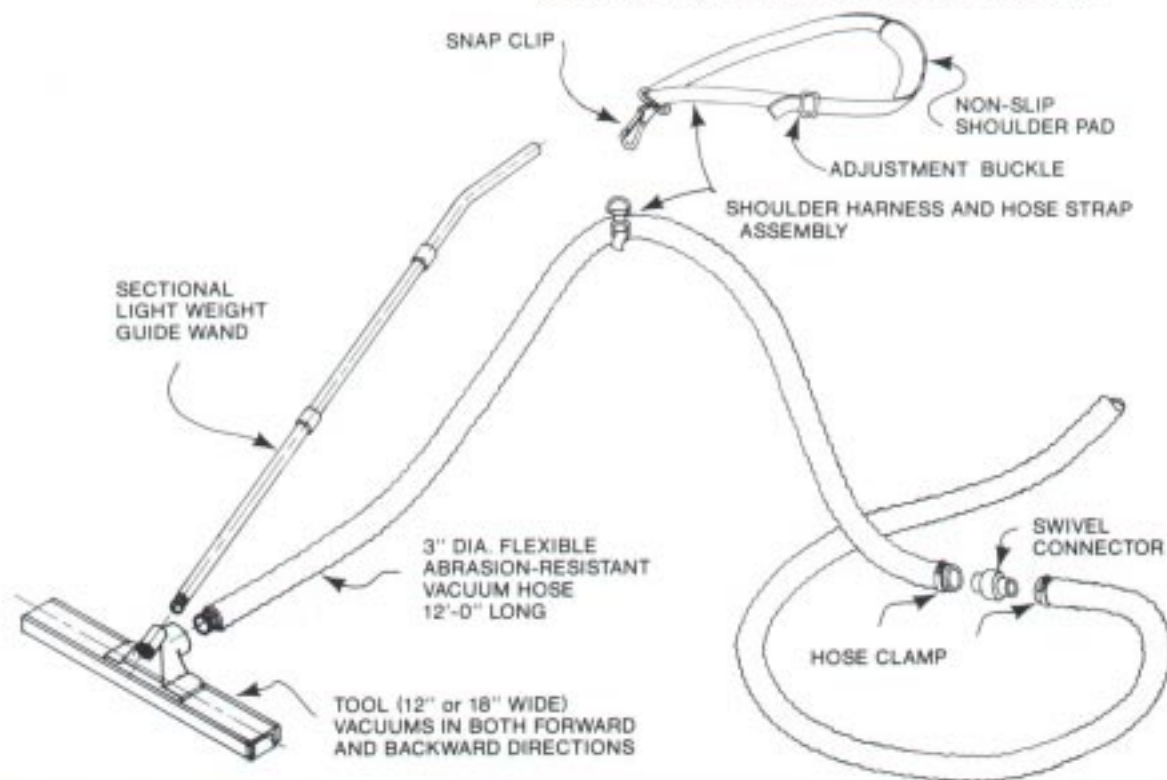
SYSTEM SIZING

1. Maximum length of tubing in each of four directions is 60 ft. plus 30 ft. of flexible vacuum hose, for each elbow or tee in any one line reduce total straight tubing by 10 feet.
2. Pressure blower discharge must be located within 50 feet of existing dust system line.
3. On upper and lower floor systems a continuous classifier discharge should be employed.
4. Only one vacuum station can be operated at a time.



WEIGHTLESS WAND

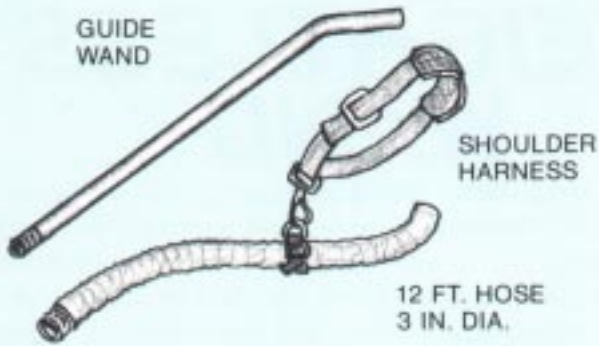
Unique Weightless Wand makes routine vacuuming almost effortless. The normal wand weight and hose drag is transmitted to the operators shoulders and upper body by means of the exclusive adjustable shoulder harness. A light weight Guide Wand is connected directly to the floor tool, variable adjustments on the shoulder harness and hose strap allow the operator to select the position best suited for him. The operator illustrated on the left is in a comfortable vertical position and not bent over manhandling a large rigid wand assembly. The Tech-Air Weightless Wand is a floor sweeper tool that is easy to operate and maximizes operator efficiency.



TECH AIR INCORPORATED

WEIGHLESS WAND-HOSE-TOOL ASSEMBLIES

GUIDE
WAND



SHOULDER
HARNESS

12 FT. HOSE
3 IN. DIA.

TOOL CONNECTOR

WEIGHTLESS FLOOR WAND ASS'Y.



**SWIVEL
ASSEMBLY**

(Req'd. between
wand and hose
assemblies)



WORK
STATION
CONNECTOR

30 FT. VACUUM HOSE
3" Dia. static dissipating,
T-Polymer, Abrasion-resistant hose

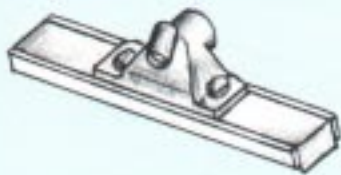


**OPTIONAL
RIGID FLOOR WAND ASSEMBLY**
2 1/4" DIA. x 5'-0" LG.



**OPTIONAL
WALL WAND EXTENSION**
2 1/4" DIA. x 5'-0" LG.

ATTACHMENTS



FLOOR/WALL TOOL
12" Wide & 18" Wide



DUCT TOOL



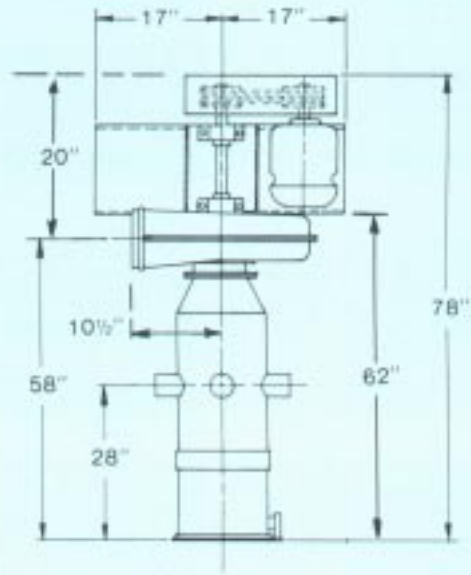
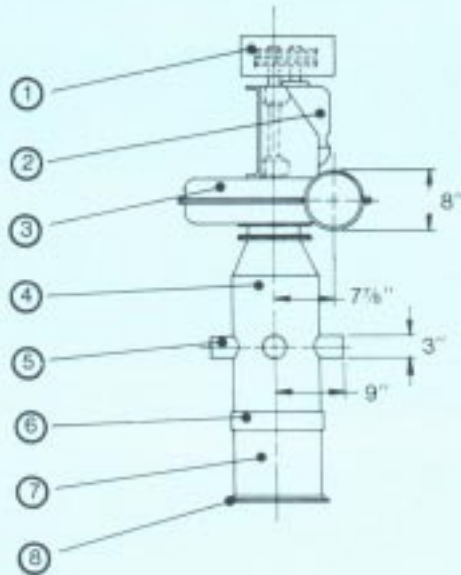
CREVICE TOOL



ADD-A-VAC

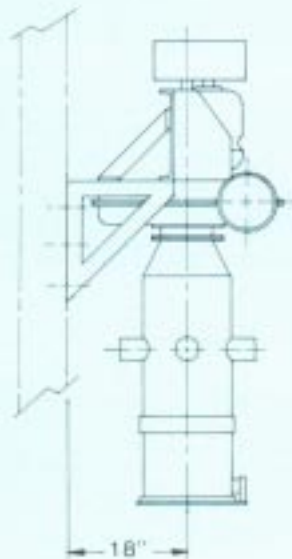
The exclusive system that
"Piggy-backs" into your existing
dust control system

ADD-A-VAC SPECIFICATIONS & DIMENSIONS

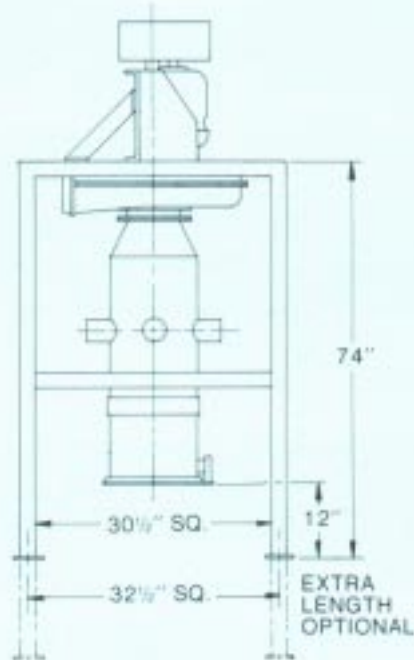


- ① "V" belt drive guard
 - ② 3 HP, 3600 RPM, 460/230V, 3PH, 60HZ motor (II G explosion proof of TEFC)
 - ③ High pressure centrifugal fan with heavy cast aluminum wheel and housing AMCA Type B spark proof construction
 - ④ Inlet classifying chamber
 - ⑤ (4) 3" dia. inlet tees
 - ⑥ Classifier vari-ring adjustment
 - ⑦ 1 cu. ft. storage chamber
 - ⑧ Manual discharge gate
- Est. shipping weight: 200 lbs.

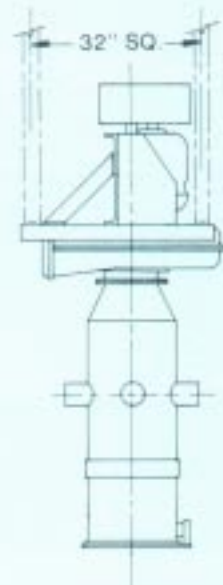
STANDARD METHODS OF INSTALLATION



WALL MOUNT



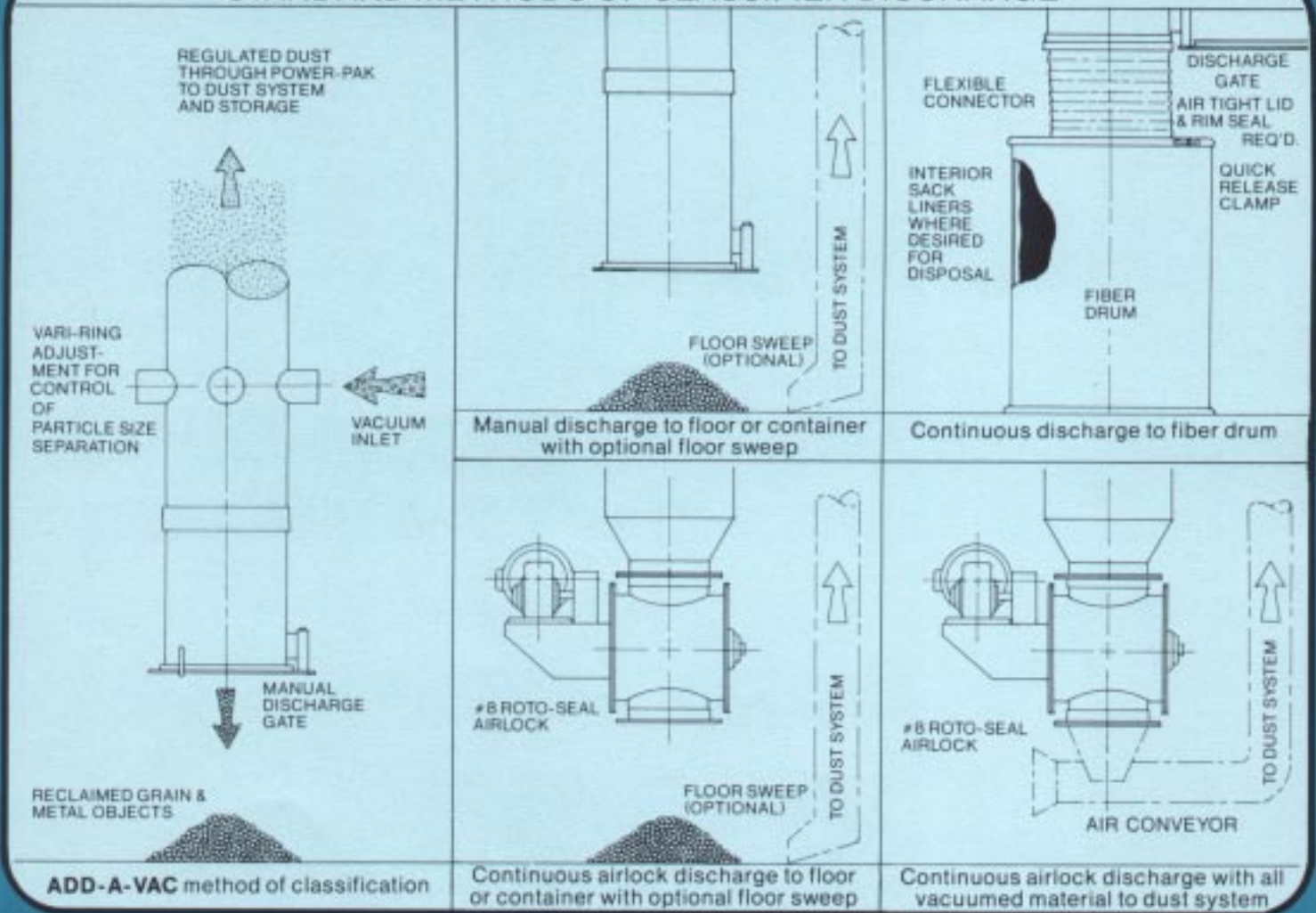
FLOOR MOUNT



CEILING MOUNT

ADD-A-VAC

STANDARD METHODS OF CLASSIFIER DISCHARGE



Inlet classifier separates the grain in spills from dirt and dust as you vacuum. The dust goes into your existing dust control system. The collected grain along with any tramp metal or large particles are removed through classifier discharge opening. Excessive abrasion to fan wheel is avoided by not passing grain or metal through the fan. The Add-A-Vac System is a high capacity dust vacuum sweep system, not a pneumatic conveying system.

