



INCORPORATED

CALL (913) 677-5777

FAX (913) 677-0674

E-Mail techair@techairinc.com

10200 W. 75th. Street, Suite 102 Shawnee Mission, Kansas 66204

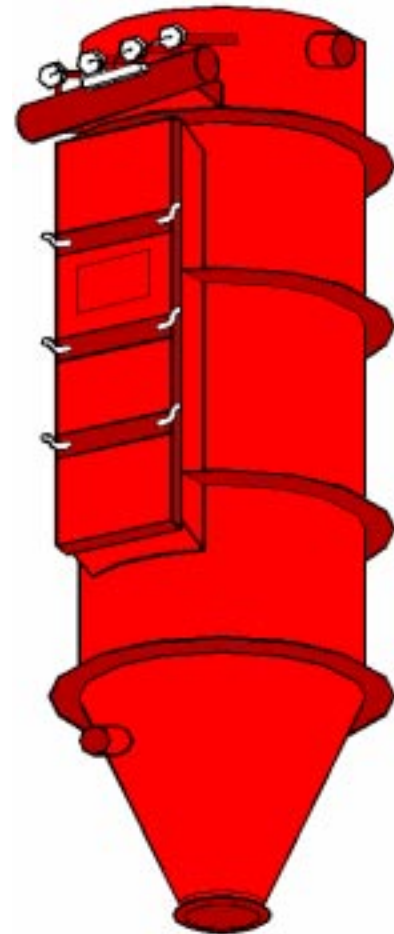
tech-airjet

BAGHOUSE DUST FILTERS

Model 'R' pulse jet

COMPARE QUALITY STANDARD FEATURES

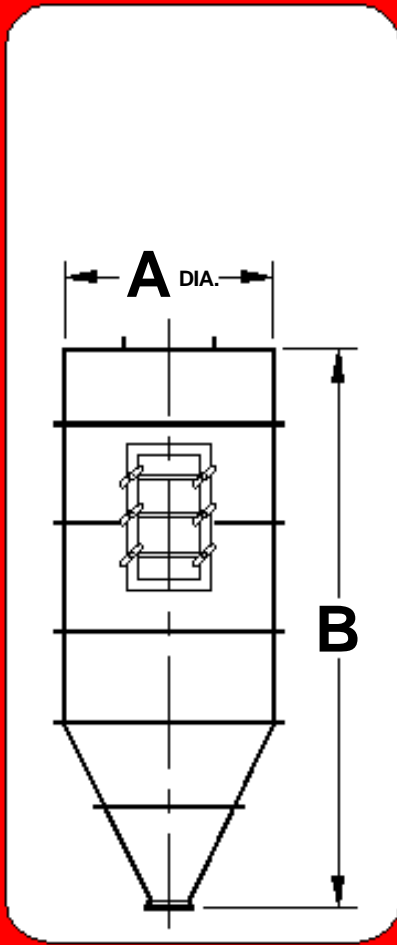
- Carbon or Stainless steel welded construction with exterior steel surfaces given one prime coat of paint, and Factory assembled in modules to suit the most efficient truck shipment requirements and minimize field installation.
- 6" Dia. compressed air header.
- 1" Dia. Diaphragm valves standard.
- NEMA 4 solenoid enclosure.
- 16 Oz Polyester felt filter bags (other media available).
- 12 Wire - #11 GA. carbon steel bag cages.
- Sequential Timer in NEMA 4 Enclosure.



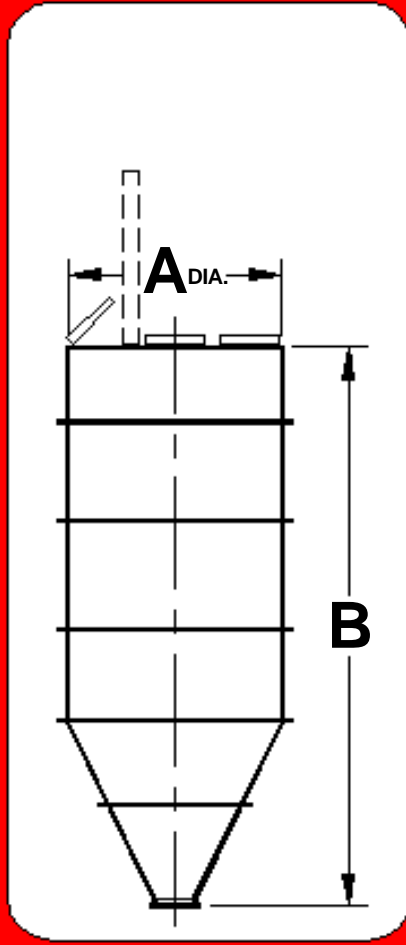
Bag filter receivers offered with "straight - in" radial or "tangential" pneumatic inlet sections. Units available in a variety of materials and finishes with a wide range of pressures.

Round Filters

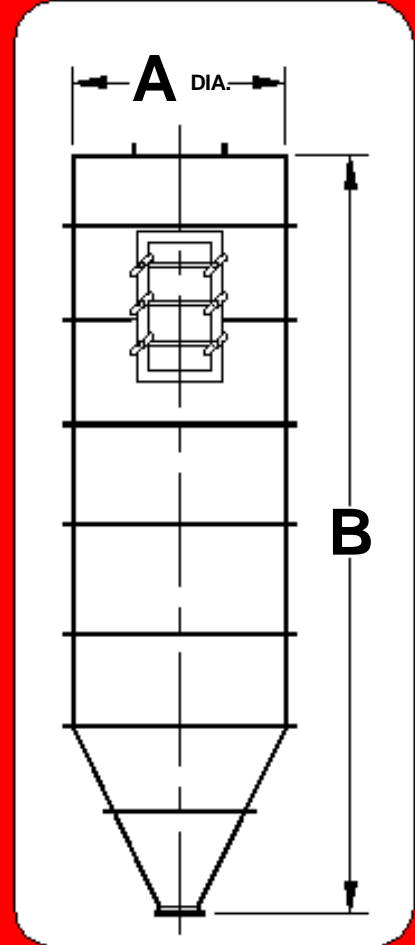
TYPICAL DIMENSIONS AND SPECIFICATIONS



SR SERIES
Side Removal



KR SERIES
Davit Top Removal



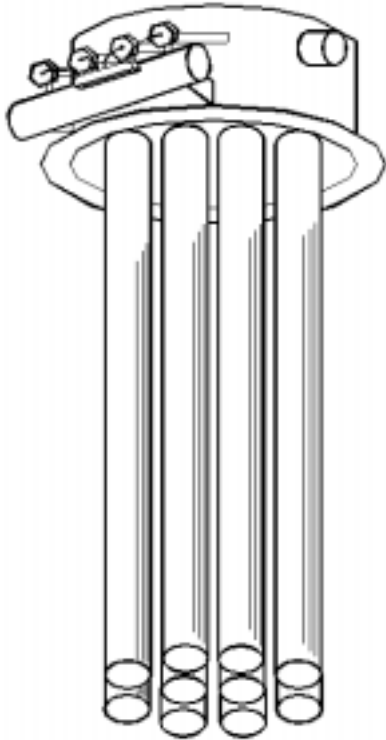
WR SERIES
Walk In Top Removal

NO. OF VALVES	SR KR WR	FILTER AREA SQ. FT.								DIMENSIONS (INCHES)																
		# of Bags	"A" ALL SERIES							"B" SR SERIES								"B" KR SERIES				"B" WZ SERIES				
			3 FT. FILTERS	4 FT. FILTERS	5 FT. FILTERS	6 FT. FILTERS	7 FT. FILTERS	8 FT. FILTERS	10 FT. FILTERS	3 FT. FILTERS	4 FT. FILTERS	5 FT. FILTERS	6 FT. FILTERS	7 FT. FILTERS	8 FT. FILTERS	10 FT. FILTERS	3 FT. FILTERS	4 FT. FILTERS	5 FT. FILTERS	6 FT. FILTERS	7 FT. FILTERS	8 FT. FILTERS	10 FT. FILTERS	6 FT. FILTERS	8 FT. FILTERS	10 FT. FILTERS
3	7	33	44	55	66	77	88	110	24	69	81	93	105	117	129	153	69	81	93	105	117	129	153	---	---	---
4	10	47	62	78	94	110	125	157	32	80	92	104	116	128	140	164	80	92	104	116	128	140	164	---	---	---
4	14	65	87	109	131	154	175	219	35	82	94	106	118	130	142	166	82	94	106	118	130	142	166	---	---	---
5	19	89	119	149	178	209	238	298	40	88	100	112	124	136	148	172	88	100	112	124	136	148	172	---	---	---
5	22	103	138	172	207	242	276	345	45	92	104	116	128	140	152	176	92	104	116	128	140	152	176	---	---	---
6	30	141	188	235	282	330	376	471	51	99	111	123	135	147	159	183	99	111	123	135	147	159	183	---	---	---
7	37	---	232	290	348	407	464	580	56	---	116	128	140	152	164	188	---	116	128	140	152	164	188	194	242	290
8	48	---	301	376	452	528	602	753	62	---	123	135	147	159	171	195	---	123	135	147	159	171	195	200	248	296
9	55	---	345	431	518	605	690	863	66	---	129	141	153	165	177	201	---	129	141	153	165	177	201	204	252	300
10	66	---	414	518	621	726	828	1036	74	---	136	148	160	172	184	208	---	136	148	160	172	184	208	210	258	306
10	76	---	---	596	715	836	954	1193	80	---	---	155	167	179	191	215	---	---	---	---	---	---	---	215	263	311
11	85	---	---	667	800	935	1067	1334	82	---	---	162	174	186	198	222	---	---	---	---	---	---	---	220	268	316
12	98	---	---	769	923	1078	1230	1538	88	---	---	166	178	190	202	226	---	---	---	---	---	---	---	222	270	318
13	109	---	---	855	1026	1199	1369	1711	94	---	---	174	186	198	210	234	---	---	---	---	---	---	---	228	276	324
13	118	---	---	926	1111	1298	1482	1852	98	---	---	179	191	203	215	239	---	---	---	---	---	---	---	231	279	327
13	130	---	---	1020	1224	1430	1632	2041	101	---	---	184	196	208	220	244	---	---	---	---	---	---	---	234	282	330
13	135	---	---	1059	1271	1485	1695	2119	105	---	---	188	200	212	224	248	---	---	---	---	---	---	---	237	285	333
15	151	---	---	1185	1422	1661	1896	2370	108	---	---	191	203	215	227	251	---	---	---	---	---	---	---	239	287	335
15	168	---	---	1318	1582	1848	2109	2637	115	---	---	199	211	223	235	259	---	---	---	---	---	---	---	246	294	342
16	188	---	---	1475	1770	2068	2361	2951	120	---	---	204	216	228	240	264	---	---	---	---	---	---	---	250	298	346

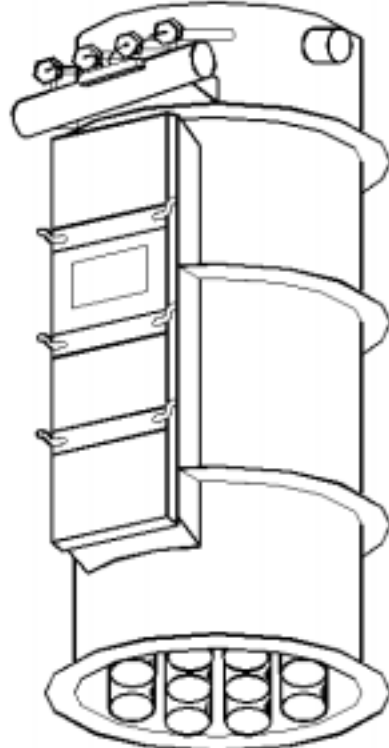
Dimensions subject to change without notice

OPTIONAL EQUIPMENT

ARRANGEMENT -- I



ARRANGEMENT -- II



PNEUMATIC INLET SECTION

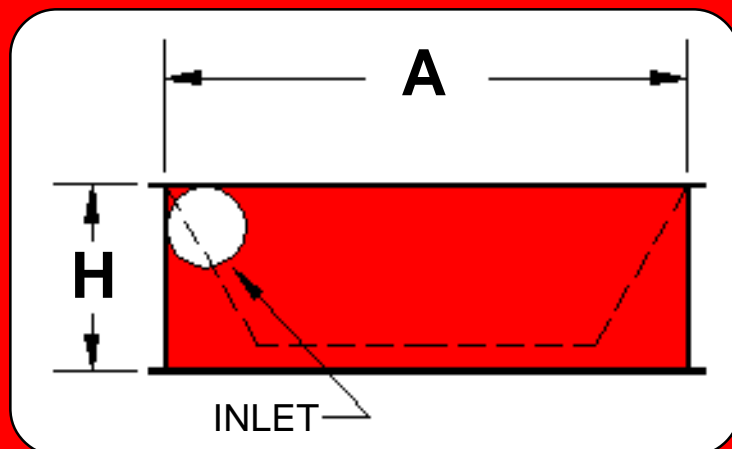
$$H = A / 3 + 10''$$

● EXAMPLE

$$A = 60''$$

$$H = 60 / 3 + 10''$$

$$H = 30''$$



- SPECIFY INLET DIA.
- SPECIFY ROTATION
- PNEUMATIC INLET MAY BE CUSTOM - SIZED TO SUIT

STANDARD FEATURES

- Solid State Electronic Sequential Timer in NEMA 4 enclosure
- Units constructed to withstand the following pressures : 40" W.G. - 100" W.G. - 12" H.G. - 17" H.G. Heavier carbon steel construction.
- 60 degree hopper of # 12 GA. construction
- Hinged and clamped weather-tight access door
- 16 oz. Polyester filter bags
- Top or bottom bag removal arrangements
- 12 wire # 11 ga. steel bag cages
- Reverse jet cleaning mechanism Including 6" diameter compressed air header, 1' diameter diaphragm valves, 1/8" solenoid valves mounted in NEMA 4 enclosure, pressure gauge, condensate drain petcock
- 2" angle mangrid below bag
- Hopper section complete with bolted access door, level indicator mount coupling or hole, structural channel for vibrator mount

OPTIONS

- Explosion Proof Electrical Enclosures (NEMA 7 and NEMA 9) Differential Demand Pulse Cleaning
- Custom Controls and Automation
- Explosion Vent
- 70 degree hopper
- Epoxy and other coatings
- Platforms,caged and uncaged ladders handrails, structural supports
- Variety of filter media including Nomex, PTFE membrane, Huyglas, Polypropylene, Singed Polyester. Cartridge Filters also available
- 12' Bags and Cages available
- Clean Air Outlet and Dirty Air Inlet
- Rotary Airlock discharge valve
- Double Dump discharge valve
- Stainless steel construction
- Maintenance Slide Gate
- 55 gallon barrel assembly with 8" flex hose and slide gate
- Level Indicators
- Hopper Agitation
- Insulation to prevent condensation



10200 W. 75th. Street, Suite 102 Shawnee Mission, Kansas 66204