



PHONE : (913) 677-5777

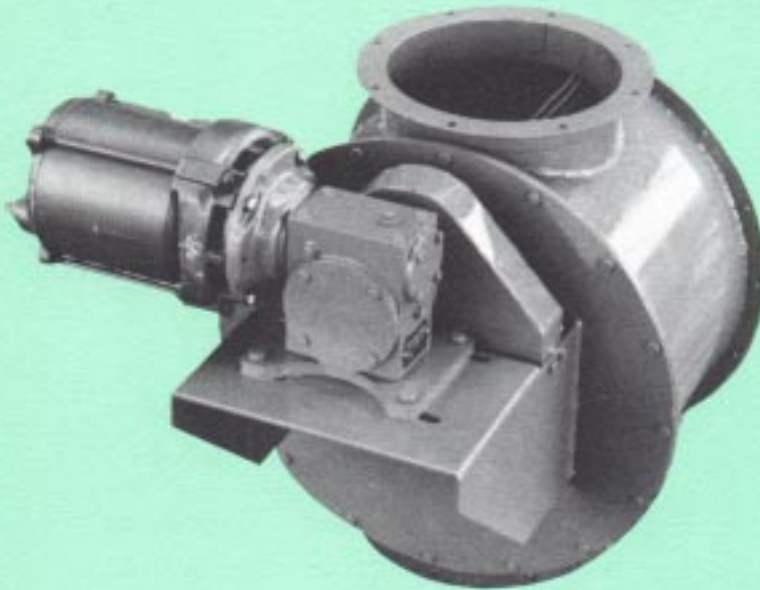
FAX : (913) 677-0674

E-MAIL : techair@techairinc.com

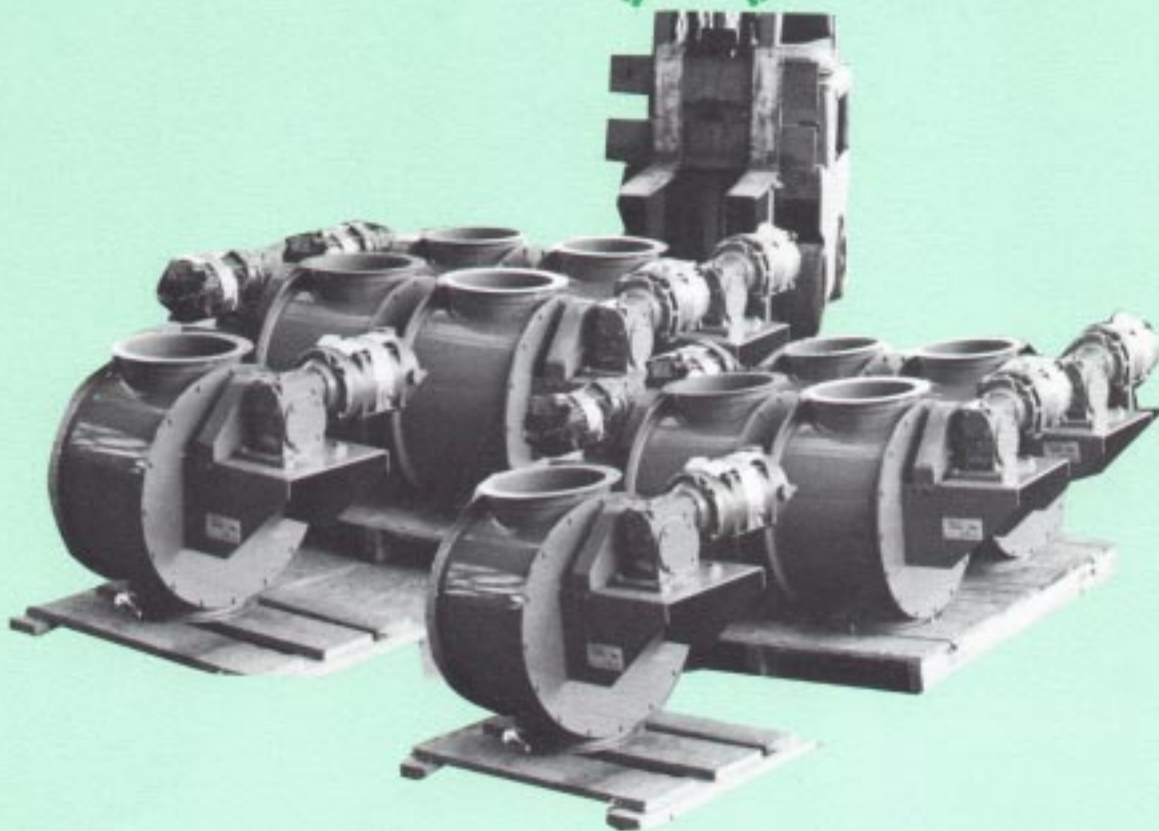
WEB : www.techairinc.com

10200 W. 75th. Street, Suite 102, Shawnee Mission, Kansas 66204

ROTARY AIR LOCK VALVES AND FEEDERS



ROTO SEAL



Roto-Seal units in plant being readied for shipment.



Roto-Seal Construction features dual neoprene wiper blades utilizing zero clearance with a normal maximum operating pressure of 27" H₂O differential.

This construction provides for a durable long life unit that attains maximum performance at an economical price.

For additional information regarding temperature and high pressure applications, check with the factory.

by



SPECIFICATIONS AND DIMENSIONS

MATERIALS. Housing is mild steel. Wiper Blades are neoprene.

ROTATION. Maximum effective valve rotation is 30 RPM.

TEMPERATURE. Maximum temperature is 120° F. Consult factory for higher temperature applications.

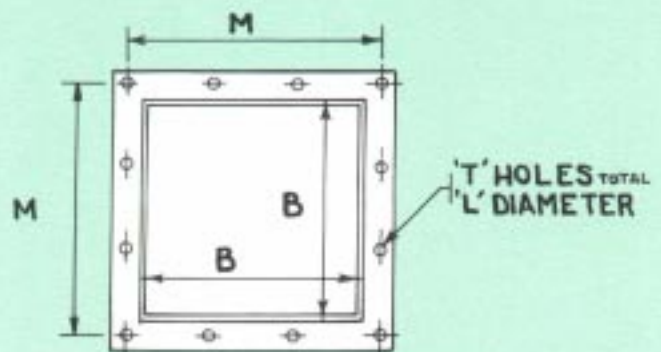
PRESSURE. Maximum normal operating pressure is 27" H₂O. Con-

sult factory for higher pressure applications.

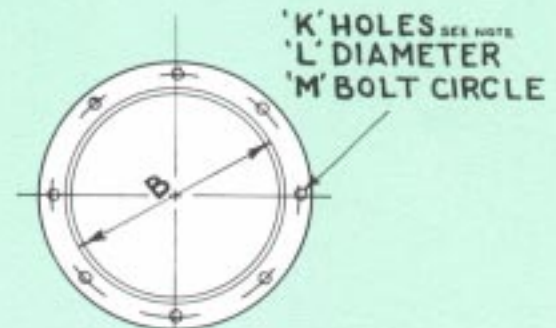
OPTIONS. Bare Valves less motor and drives available.

Complete Valves with motor and drives available. (Specify H.P. and Valve rotation RPM).

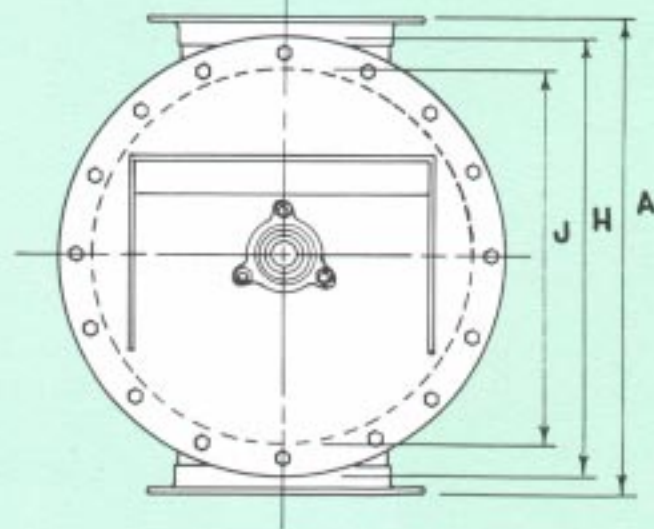
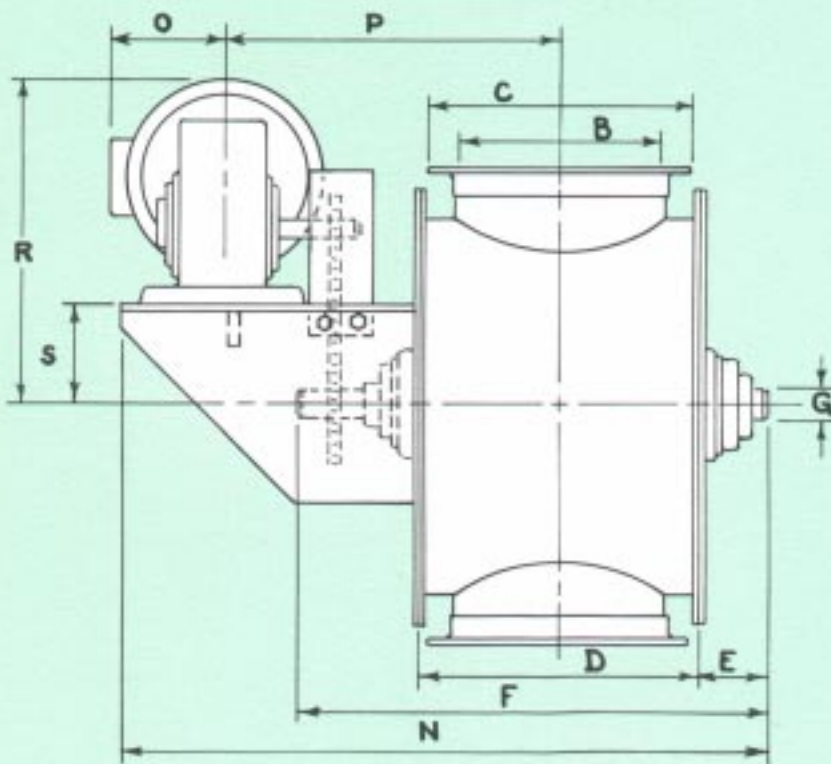
Housing and wiper materials may vary and be custom ordered.



OPTIONAL SQUARE INLET & OUTLET



'K' HOLES SEE NOTE
'L' DIAMETER
'M' BOLT CIRCLE



SIZE	CUBIC DISP.	DRIVE H.P.	A	B	C	D	E	F	G	H	J	K	L	M	N	O	P	R	S	T
8	.95	1/2	19	8 1/8	10 5/8	11	2	18	1 3/16	17 1/4	15	8	3/8	9 1/2	25	5 1/4	12 1/2	13 1/2	4	12
10	1.7	1/2	23	10 1/8	12 5/8	12	2	19	1 7/16	21 1/4	19	8	3/8	11 1/2	26	5 1/4	13	13 1/2	4	12
12	3.0	3/4	27	12 3/16	15 3/16	14	2	21	1 7/16	25 1/4	23	12	7/16	13 3/16	28	5 1/4	13 1/2	13 1/2	4	12
16	6.5	3/4	36	16 1/4	19 3/4	18	2 1/2	25 1/2	1 5/16	34 1/4	32	16	7/16	18 1/8	33	5 1/4	16 1/2	15 1/4	4	16
20	13.	1	44	20 1/4	23 3/4	23	3	32	2 1/16	43 1/4	40	20	7/16	22 1/8	37	5 1/4	18 1/2	18	6	20
24	22.	1	52	24 1/4	27 3/4	27	3	36	2 5/16	51 1/4	48	20	7/16	26 1/8	41	5 1/4	20 1/2	18	6	20

NOTE: DIMENSIONS-O, P, AND R-ARE APPROXIMATE ONLY
K-IS TOTAL NUMBER OF HOLES IN FLANGE, ALL HOLES ARE EQUAL SPACED

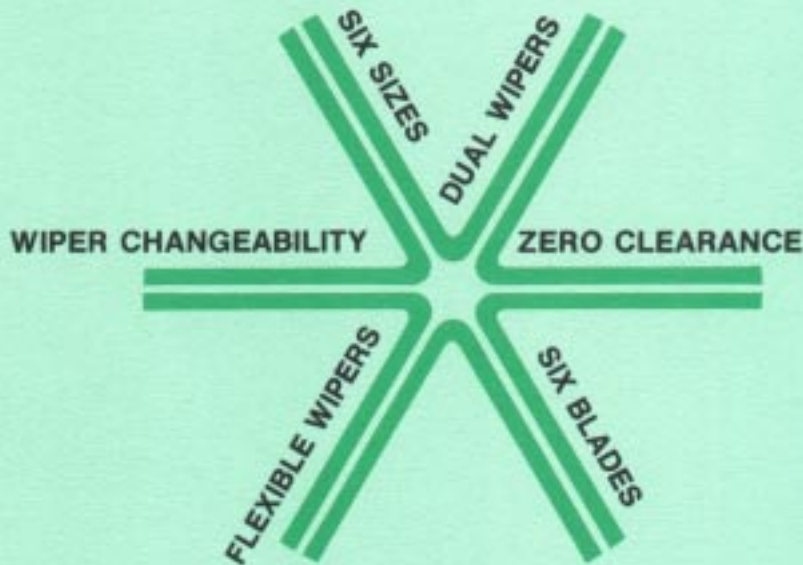
DRIVE HORSE POWERS LISTED ARE FOR NORMAL APPLICATIONS AND CAN VARY DEPENDENT UPON SPECIFIC APPLICATION.

NOTE: All dimensions are in inches.

WE RESERVE THE RIGHT TO CHANGE DIMENSIONS WITHOUT NOTICE.



FEATURES AN **All Star Cast**



DUAL WIPERS

Provides for maximum sealing characteristics under pressure conditions as well as allowing for a longer operational life than that of single wipers.

ZERO CLEARANCE

There is no clearance between flexible wiper blades and valve body housing, thereby avoiding air bypass between blades and housing. Only air loss is the air displaced by virtue of the valve rotation itself.

SIX BLADES

Assure continuous maximum air seal by four blades at all times.

FLEXIBLE WIPERS

Better operating characteristics can be attained when passing irregular objects through the valve with a minimum of binding and stoppage.

WIPER CHANGEABILITY

Maintenance costs are minimized by simply replacing worn wiper blades with new replacement units. It's inexpensive and easy to do.

SIX SIZES

Sizes varying from 8" inlets to 24" inlets are offered to provide for maximum selection to suit almost any application.

